

# ILLUSTRATED PARTS LIST

19481A1

KOHLER K241 SPEC 46681D

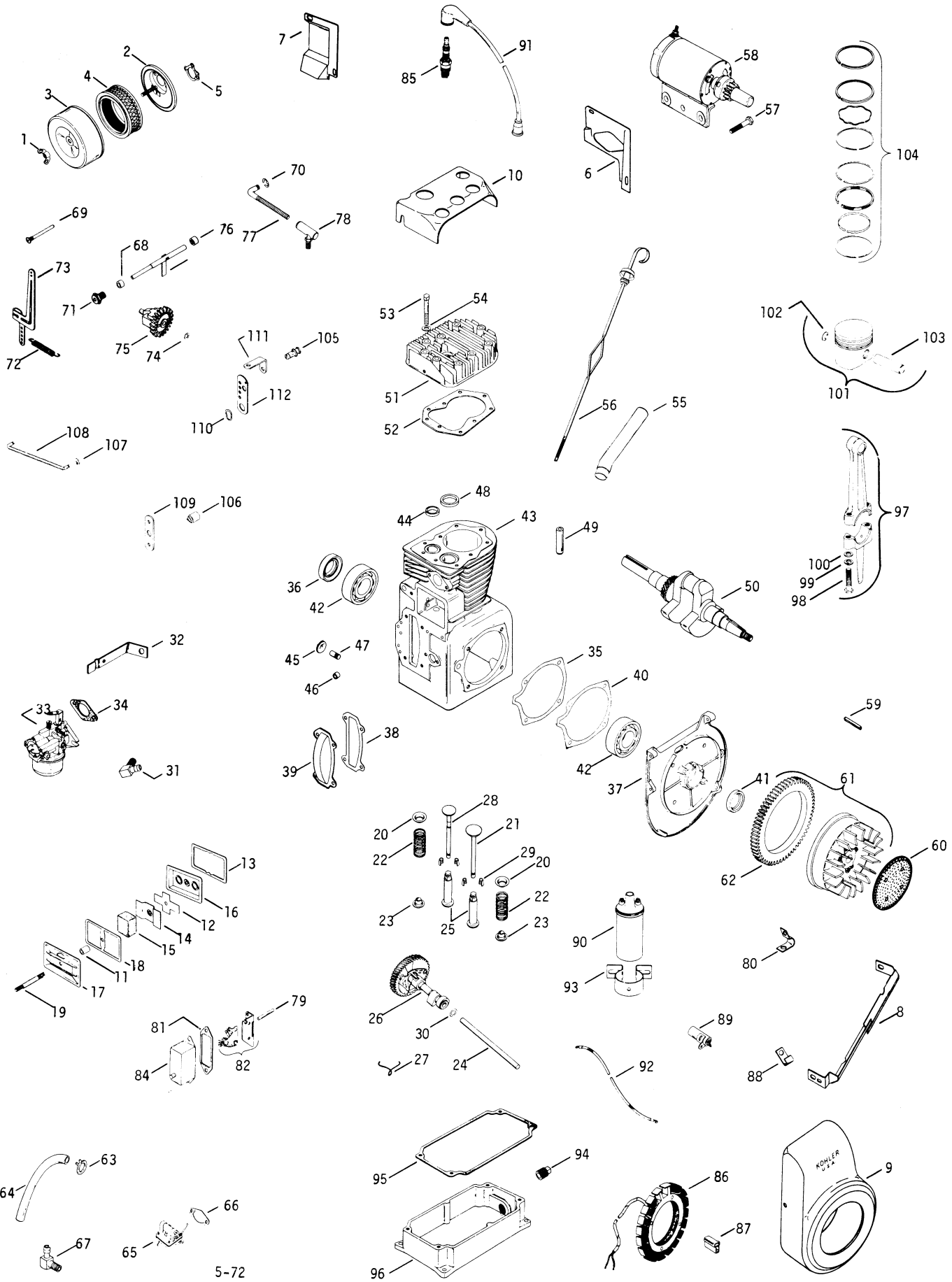
FOR 810 TRACTOR



A DIVISION OF CLARKE-GRAVELY CORPORATION

GRAVELY LANE

CLEMMONS, N. C. 27012



ITEM NO.	KOHLER PART NO.	GRAVELY PART NO.	DESCRIPTION	ITEM NO.	KOHLER PART NO.	GRAVELY PART NO.	DESCRIPTION
<u>AIR INTAKE GROUP</u>				<u>CYLINDER HEAD GROUP</u>			
1	X-167-2	132100	Screw, Mach 10-32 x 5/16	51	236675	12035P1	Head, Cylinder
2	X-276-7	10413P1	Nut, Wing 1/4-20	52	237658	10803P1	Gasket, Head
3	235101	10949P1	Base, Air Cleaner	53	270158	180126	Screw, H. C.
4	235102	10901P1	Cover, Air Cleaner	54	270889	10805P1	Washer
5	235116	10900P1	Element, Air Cleaner				
	275341	10760P1	Gasket, Air Horn				
<u>BAFFLES AND SHROUD GROUP</u>				<u>DIPSTICK GROUP</u>			
	X-22-22	138479	Washer, Lock No. 10 Ext. Tooth	55	235895	10807P1	Tube, Oil Fill
	X-25-53	120392	Washer, Flat 9/32 x 5/8 x .065	56	236703	14750P1	Dipstick Assy
	X-97-3	188978	Screw, Mach 10-24 x 3/8 Hex Hd				
	X-132-2	180020	Bolt, Hex 1/4-20 x 3/4	<u>ELECTRIC START GROUP</u>			
	X-132-6	180016	Bolt, Hex 1/4-20 x 1/2				
6	235652	14844P1	Baffle, Side Air		X-22-1	120394	Washer Flat 13/32 x 13/16 x .065
7	236676	12029P1	Baffle, Cylinder		X-22-11	138542	Washer Lock 3/8 Int Tooth
8	236847	19694P1	Deflector		X-81-1	9419454	Nut Lock 1/4-20 Washer Insert
9	236985	14742P1	Housing, Blower	57	234948	19895P1	Screw, H. C. 3/8-16 x 1-11/32
10	237520	12027P1	Baffle, Head	58	A-237534	19581P1	Starter
<u>BREATHER AND VENT GROUP</u>				<u>FLYWHEEL GROUP</u>			
	X-20-1	120380	Washer, Lock 1/4 Sp		X-25-88	131016	Washer Flat 21/32 x 1-5/16 x .095
	X-81-1	9419454	Nut Lock 1/4-20 Washer Insert		X-119-14	10952P2	Nut, Lock 5/8-18
11	231032	10772P1	Seal, Breather		X166-2	153777	Screw Mach 1/4-20 x 5/8 Fill Hd
12	235047	10771P1	Reed, Breather	59	X286-15	15987P1	Key, Sq 3/16 x 1-3/8
13	235048	10770P1	Gasket, Valve Cover	60	236688	12044P1	Screen, Grass
14	235117	10769P1	Baffle, Breather	61	A237310	20426P1	Flywheel, Unbalance
15	235118	10768P1	Filter, Breather	62	236285	12149P1	Gear, Ring
16	235631	10767P1	Plate, Breather Assy	<u>FUEL PUMP GROUP</u>			
17	275143	10766P1	Cover, Valve				
18	275144	10773P1	Gasket		X-174-2	160541	Screw Mach 1/4-20 x 3/4
19	275220	10774P1	Stud, Valve Cover		X-519-1	15422P1	Plug, Cap
<u>CAMS AND VALVES GROUP</u>					X309-14	7216P1	Clamp Fuel Hose
20	230011	10781P1	Retainer, Valve Spring	64	X-697-1	14753P1	Line, Fuel
21	235008	10776P1	Valve, Intake	65	A-235845	11651P1	Pump, Fuel
22	235010	10778P1	Spring, Valve	66	240281	10820P1	Gasket, Fuel Pump
23	235011	10780P1	Retainer, Spring Upper	67	X-391-1	14745P1	Elbow, Hose
24	235053	10783P1	Pin, Camshaft	<u>GOVERNOR GROUP</u>			
25	D-235327	10784P1	Tappet, Assy				
26	E235661	19542P1	Camshaft, Assy		X-19-1	120217	Washer Lock No. 10 Spring
27	232770	10947P1	Spring, Actuating		X-25-55	10955P1	Washer, Flat 17/64 x 1/2 x .062
28	235826	11878P1	Valve, Exhaust		X-70-3	120614	Nut Mach 10-32 Hex
29	240013	10785P1	Keeper, Valve	68	X400-80	19595P1	Spacer
30	275066	10786P1	Spacer, Camshaft .005	69	231355	10833P1	Pin, Governor Stop
30	275067	10787P1	Spacer, Camshaft .010	70	235278	10827P1	Rod, Retainer
<u>CARBURETOR GROUP</u>				71	235476	10826P1	Bushing
	X-160-1	180079	Bolt Hex 5/16-18 x 1	72	235496	10824P1	Spring, Governor
31	X-391-1	14745P1	Elbow, Hose	73	A-237653	10825P1	Lever, Governor Assembly
32	A-236919	14746P1	Bracket, Choke	74	237022	19550P1	Washer, Thrust
33	A237772	19890P1	Carburetor Assy	75	A-237031	15430P1	Gear, Governor
34	271030	10790P1	Gasket, Carburetor	76	237455	19583P1	Shaft, Governor Cross
				77	X-70-3	120614	Nut Machine 10-32 Hex
				78	235277	10828P1	Rod, Throttle
					275868	10821P1	Joint, Ball
<u>CRANKCASE GROUP</u>				<u>IGNITION GROUP</u>			
	X-132-6	180016	Bolt Hex 1/4-20 x 1/2		X-22-9	14773P1	Washer, Special
	X-159-2	180122	Bolt Hex 3/8-16 x 1		X-25-52	19622P1	Washer, 1/4
35	235757	14747P1	Gasket, Bearing Plate		X-67-59	10956P1	Screw, 8-32 x 3/8 Tapping
36	X-379-9	10799P1	Seal, Oil		X-116-4	153315	Screw, 10-24 x 1 Fill Hd
37	4515602	14748P1	Plate, Bearing		X-131-1	133556	Screw, 10-24 x 3/8 Flat Hd
38	235025	10798P1	Gasket, Camshaft Cover		X-132-2	180020	Bolt, Hex 1/4-20 x 3/4
39	235026	10797P1	Cover, Camshaft	79	X-489-1	10838P1	Rod, Breaker
40	235070	10796P1	Gasket, Bearing Plate	80	X-728-1	19565P1	Clip
41	X-271-30	10800P1	Seal, Front Oil	81	220174	10839P1	Gasket, Breaker
42	235376	10794P1	Bearing, Ball	82	A-220474	15435P1	Breaker, Assembly
43	A-236861S	20024P1	Block, Cylinder Assy	84	232535	10841P1	Cover, Breaker
44	230170	12150P1	Insert, Valve Seat	85	235040-S	10842P1	Plug, Spark
45	X230-11	10948P1	Plug, Expansion	86	237878	18626P1	Stator
46	234866	11647P1	Bearing, Needle	87	237757	19899P1	Connector
47	235125	11648P1	Shaft, Governor	88	275182	10846P1	Clip, Cable
48	230265	12362P1	Insert, Intake Valve	89	230722	11824P1	Condenser
49	235007	11646P1	Guide, Valve	90	231281	18634P1	Coil, Ignition
<u>CRANK T GROUP</u>				91	238057	11822P1	Cable, High Tension
50	J-235662	19904P1	Crankshaft	92	A-235606	19590P1	Lead, Breaker
				93	231879	19556P1	Bracket, Coil

<u>ITEM NO.</u>	<u>KOHLER PART NO.</u>	<u>GRAVELY PART NO.</u>	<u>DESCRIPTION</u>
<u>OIL PAN GROUP</u>			
94	X-75-24	103881	Plug, Pipe 3/4
	X-159-3	180124	Bolt Hex 3/8-16 x 1-1/4
95	235057	12148P1	Gasket, Pan
96	235115	12147P1	Base, Oil Pan
<u>PISTON AND ROD GROUP</u>			
97	A-235139	14228P1	Rod, Connecting Assembly
98	235526	19557P1	Screw, H. C.
99	X-22-35	120382	Washer, Lock 3/8 SP
100	235003	11879P1	Washer, Plain
101	A-235611	10854P1	Piston Assembly
	A-235569	10957P1	Piston Assembly, .010
	A-235571	10958P1	Piston Assembly, .020
	A-235616	10959P1	Piston Assembly, .030
102	235004	10856P1	Retainer, Piston Pin
103	235572	10855P1	Pin, Piston
104	235287	10857P1	Rings Std
	235288	14762P1	Ring Set .010
	235289	14763P1	Ring Set .020
	235290	14764P1	Ring Set .030
<u>THROTTLE CONTROL GROUP</u>			
	X-25-63	120386	Washer, Flat 5/16 x 47/64 x .065
	X-132-4	180022	Bolt Hex 1/4-20 x 1
105	231052	10834P1	Clamp, Swivel Wire
106	235085	10831P1	Spacer
107	235278	10827P1	Retainer, Ring
108	235756	11827P1	Rod, Throttle
109	236752	11828P1	Crank, Bell
110	275690	10822P1	Washer, Tension
	X-132-9	10835P1	Screw, H. C. 1/4-20 x 1/4
111	235084	10832P1	Bracket, Adjusting Screw
112	235086	10830P1	Bracket, Speed Control
	A-237816	20151P1	Miniblock
	237727	14766P1	Gasket, Set